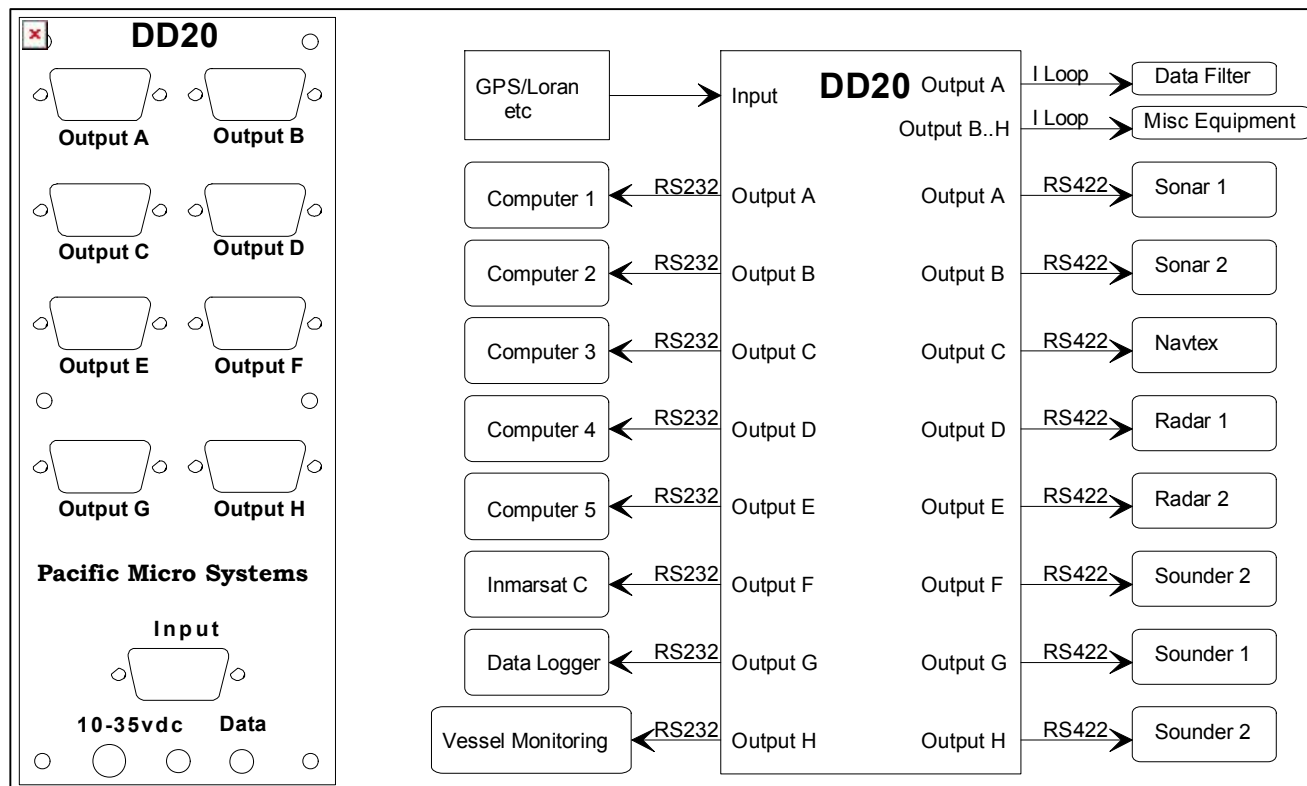


DATA DISTRIBUTOR DD20

The DD20 has been designed to assist with the total integration of electronic equipment aboard a vessel. It accepts data from one source, either current loop, RS422 or RS232, and distributes it out 8 current loop outputs, each capable of driving a number of current loop inputs, 8 RS422 outputs, and 8 industry standard RS232 outputs. The unit is isolated from ground which provides full dc isolation between the input supply and ground/all outputs.



Input requirements:

Current loop, RS422 or RS232.
Normal or inverted. (*Internally Selectable*).

Output capabilities:

Current loop (8 outputs)
RS422 (8 outputs).
RS232 (8 outputs).

Power Requirements:

10-35 vdc @ 50-280 ma. (dependent on number of outputs loaded)
Isolated ground provides full dc isolation between the input supply and ground/all outputs.

Physical Parameters:

Enclosure: Plastic EMI/RFI shielded.
Mounting: Bulkhead or desktop.
Weight: 0.3 kg.
Dimensions: 92 x 155 x 37 mm.

Indicators: (LED) Power ON and Data In.
Connectors: 1 x DB9 male (Data In)
8 x DB9 female (Data Out)
1 x 2pin cord in-line (power)

Designed and Manufactured by
Pacific Micro Systems
136 Curtis Street
PO Box 9285
Wellington 5
New Zealand.
Phone 64-4-475-9004

Represented by
Internet: www.pacmicro.com
E-mail: trevor@pacmicro.com
Fax: 64-4-475-9084