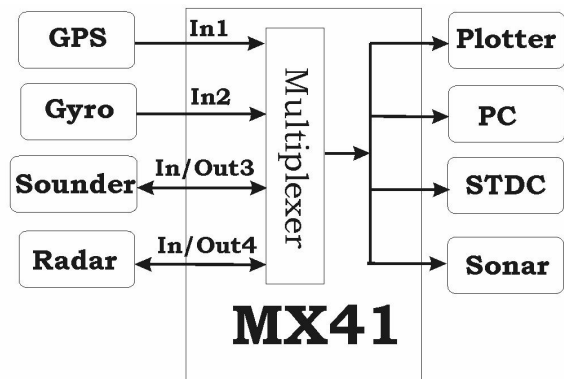
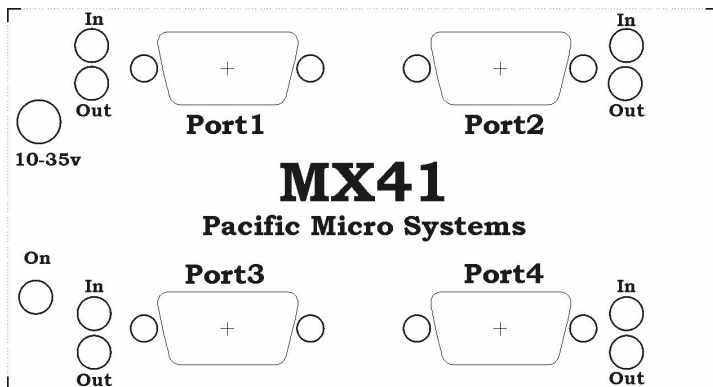


# Multiplexer MX41

The MX41 is a 4 input, 4 output multiplexer designed to assist with the total integration of electronic equipment in the wheelhouse. It multiplexes or combines 4 x NMEA0183 data sources together into all 4 outputs. Each I/O connector has 2 separate outputs enabling a total of 8 outputs of the combined data. Each input is via an opto-coupler to provide equipment isolation. The MX41 is a product in the range produced by Pacific Micro Systems specifically designed to accomplish low cost data integration. The MX41 has an isolated ground that provides full dc isolation between the input supply and ground/outputs.



## Input requirements:

Current loop, RS422 or RS232.

## Power requirements:

11-35 vdc @ 50-100 ma.

Isolated ground provides full dc isolation between the input supply and ground/outputs.

## Physical parameters:

**Enclosure:** Plastic with RFI screen, stainless top.

**Weight:** 0.3 kg.

**Indicators:** (LED) Power ON and Data In/Out (each Port).

## Output capabilities:

RS232 and Current loop or RS422.

## Data Output:

4800 Baud.

**Mounting:** Bulkhead or desktop.

**Dimensions:** 97 x 112 x 37 mm.

**Connectors:** 4 x DB9 (Data in/out)

1 x 2pin cord in-line (power)

*Designed and Manufactured by*  
**Pacific Micro Systems**  
136 Curtis Street  
PO Box 9285  
Wellington 5  
New Zealand.  
Phone +64-4-475-9004

Internet: [www.pacmicro.com](http://www.pacmicro.com)  
E-Mail: [trevor@pacmicro.com](mailto:trevor@pacmicro.com)  
Fax: +64-4-475-9084