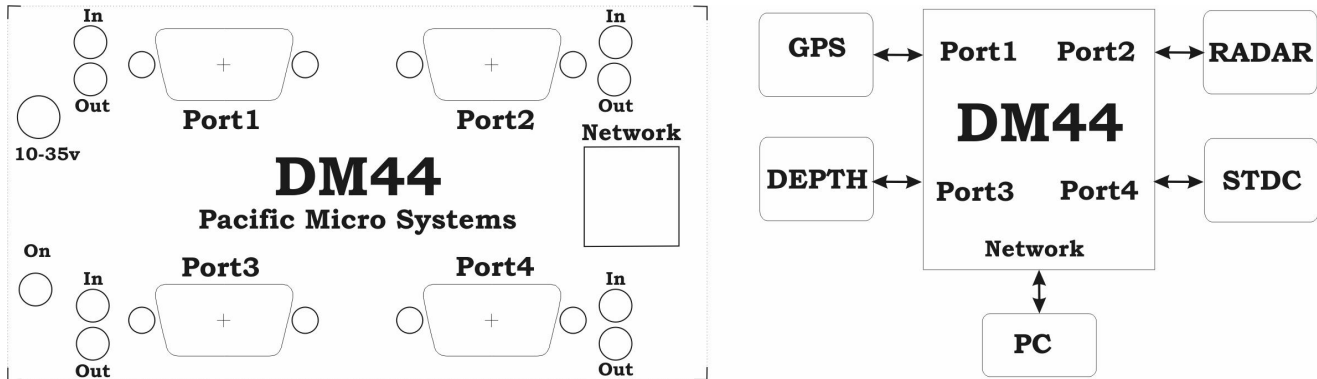


DATA MULTIPLEXER DM44

The DM44 is a 4 input, 4 output, with network interface, data multiplexer designed to assist with the total integration of electronic equipment in the wheelhouse. With the increase in numbers and types of equipment generating serial data within a vessel, the need to combine and filter this data is necessary. The DM44 is isolated and gives full dc isolation between the input supply and ground/outputs.



Features:

- | | |
|--|--|
| <ul style="list-style-type: none"> • Furuno CIF conversion. • Filtering of NMEA sentences by Talker or Formatter for each input and output. • Flexible multiplexing from one port to any other. • NMEA0183 In or Out talker modification. • NMEA/CIF depth sentences from trigger and bottom or JRC trigger/clock/data. • AD10 data from NMEA VTG, VHW, HDG, HDM, HDT, etc • 100, 200, 400 or 800 PPNM from VTG/VHW | <ul style="list-style-type: none"> • 100, 200, 400 or 800 PPNM to VTG/VHW. • Alarm outputs (2) when defined inputs received, ie predefined depth, waypoint, DGPS, etc. • User selectable mode for Baud rate, Stop bits, Parity, Data bits, Start/Stop characters. • Baud rates up to 115200 enabling fast data transfer. • Automatic prioritised Dual/Tri Input switching, GPS Sounder, Heading etc • NMEA sentence Rate control, Increase/Decrease. • Many other conversions to customers request. |
|--|--|

Configuration by a PC connected to the DM44 via the Ethernet port using the program supplied.

Input requirements:

Serial Data: Current loop, RS422, RS232.
Digital: 0/5v for Trig/Bottom/Selector

Output capabilities:

Current loop, RS422, RS232 (each port).
4 x 100mA current sink for PPNM/AD10/Alarms.

Parameters able to be configured include:

Format type (NMEA etc), Modify talker IN and Out (to GP, LC, II), Port to port transfer, filtering etc.

Power requirements:

11-35 vdc @ 50-150mA. The DM44 provides full dc isolation between the input supply and ground/outputs.

Physical parameters:

Enclosure: Plastic EMI/RFI shielded.

Weight: 300 grams.

Indicators: (LED) Power ON, Data In and Data Out each port.

Mounting: Bulkhead or desktop.

Dimensions: 92 x 112 x 37 mm.

Connectors: 4 x DB9 (In/Out), 1 x RJ45 (Network)
1 x 2pin cord in-line (power)

Designed and Manufactured by
Pacific Micro Systems

136 Curtis Street
PO Box 9285

Wellington 6012
New Zealand.

Phone +64-4-475-9004

Internet: www.pacmicro.com

Email: info@pacmicro.com

Fax: +64-4-475-9084

Represented by